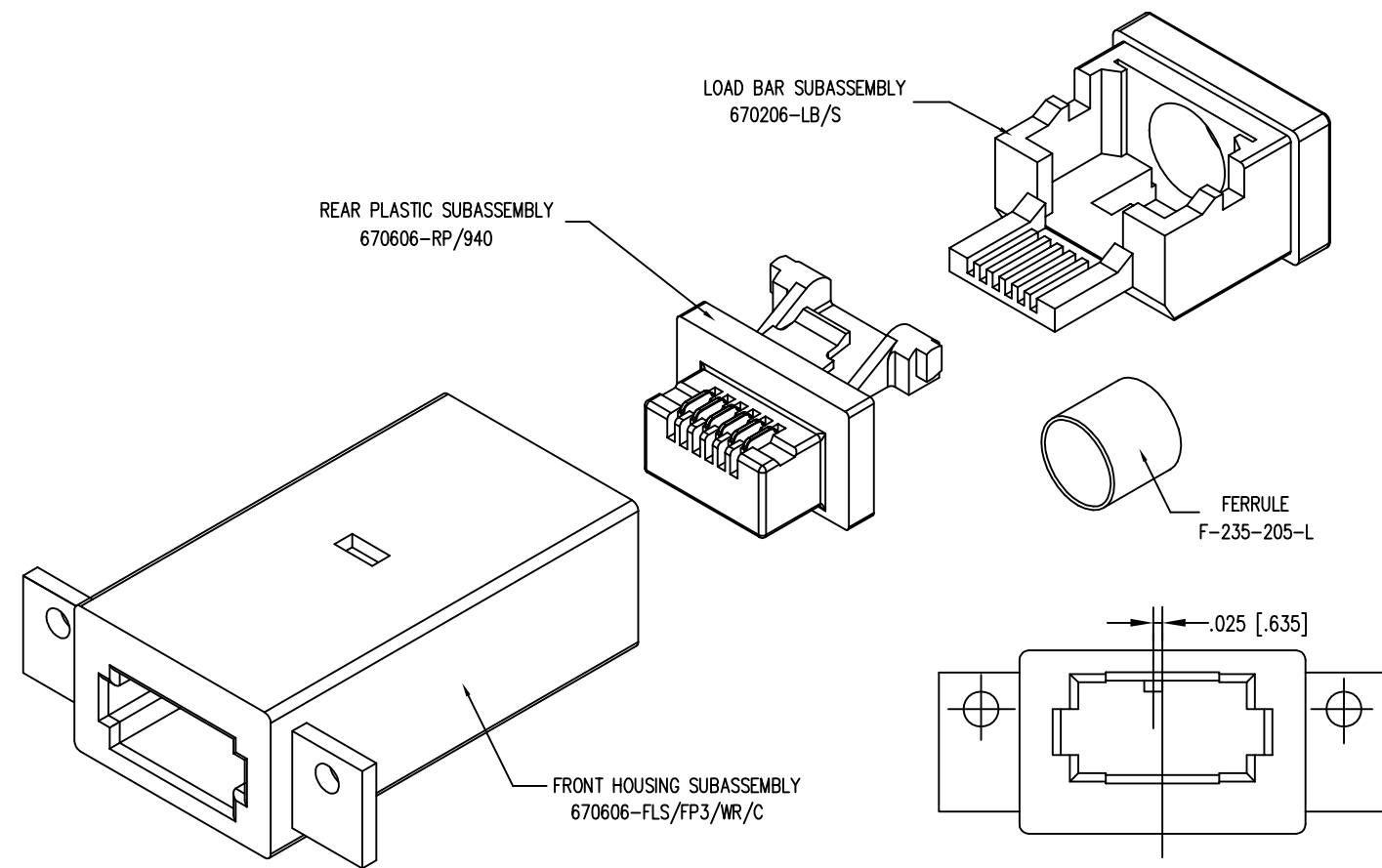
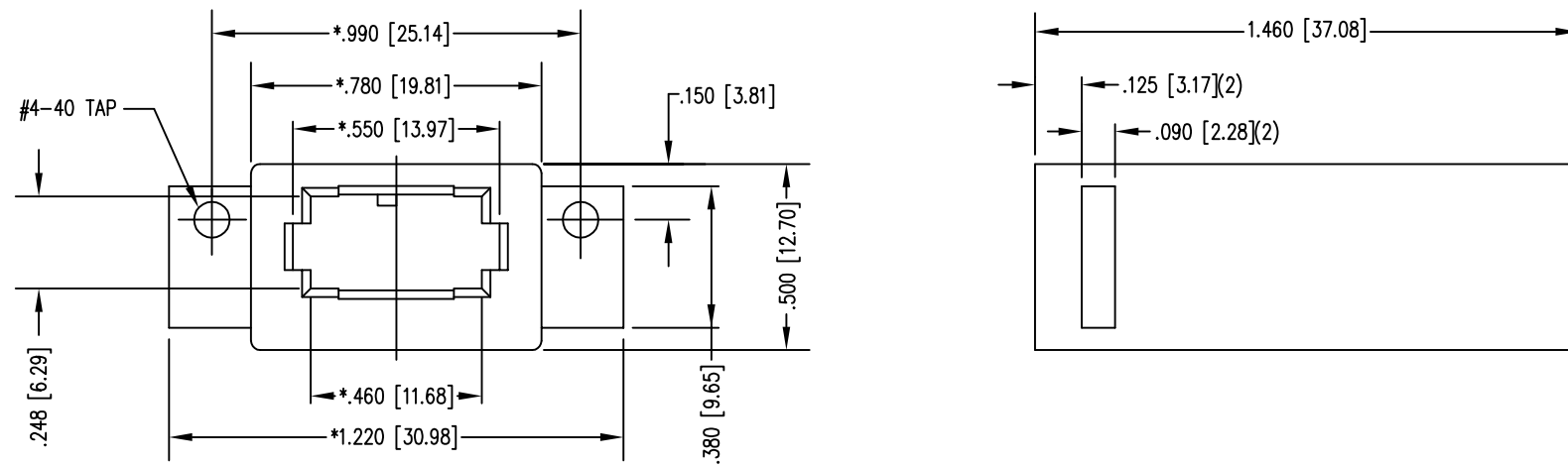


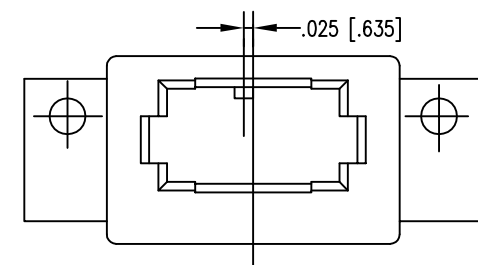
DATE	REV	ECN	APP'D. BY
1-16-06	B7	7436	JM
1-28-08	B8	8345	TRM
6-11-12	B9	9506	SMN
1-15-15	B10	10203	TRM



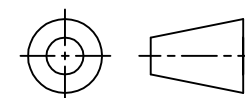
- NOTE:
1. DIMENSIONS SHOWN ARE FOR PART I.D. AND REFERENCE ONLY.
 2. DIMENSIONS WITH "*" TO BE CENTRAL ABOUT CENTER LINE.
 3. -BH DESIGNATES BOTTOM HOUSING IS CHROME PLATED.
 4. ESI DESIGNATES CUSTOMER CODE.
 5. FOR PRODUCT SPECIFICATION SEE PR022-01

50 MICRO-INCHES [1.27um]	N/A
30 MICRO-INCHES [0.76um]	SS-670606-BH-3ESI
CONTACT PLATING IN MATING AREA	PART NUMBER

DIMENSIONS FOR KEY-3



THIRD ANGLE PROJECTION



1118 Susquehanna Trail South
 Glen Rock, PA 17327-9199
 (717) 235-7512
<http://www.stewartconnector.com>

DO NOT SCALE DRAWING
 DRAWING IS SUBJECT TO
 CHANGE WITHOUT NOTICE

TITLE: BULK HEAD JACK

DIMENSIONS: INCHES [METRIC]

THIS DRAWING AND THE SUBJECT MATTER SHOWN THEREON ARE CONFIDENTIAL AND THE PROPRIETARY PROPERTY OF STEWART CONNECTOR AND SHALL NOT BE REPRODUCED, COPIED, OR USED IN ANY MANNER WITHOUT PRIOR WRITTEN CONSENT OF STEWART CONNECTOR. THIS PRODUCT MAY BE PROTECTED BY ONE OR MORE OF THE FOLLOWING US PATENTS: 5791942 6217391 6368159 6419526 6602097 687722 6964587 7048590 7086909 7568950 7686650 OTHER PATENTS MAY BE PENDING.

DRN BY: JAF DATE 8-17-05

APPD BY: DG DATE 8-17-05

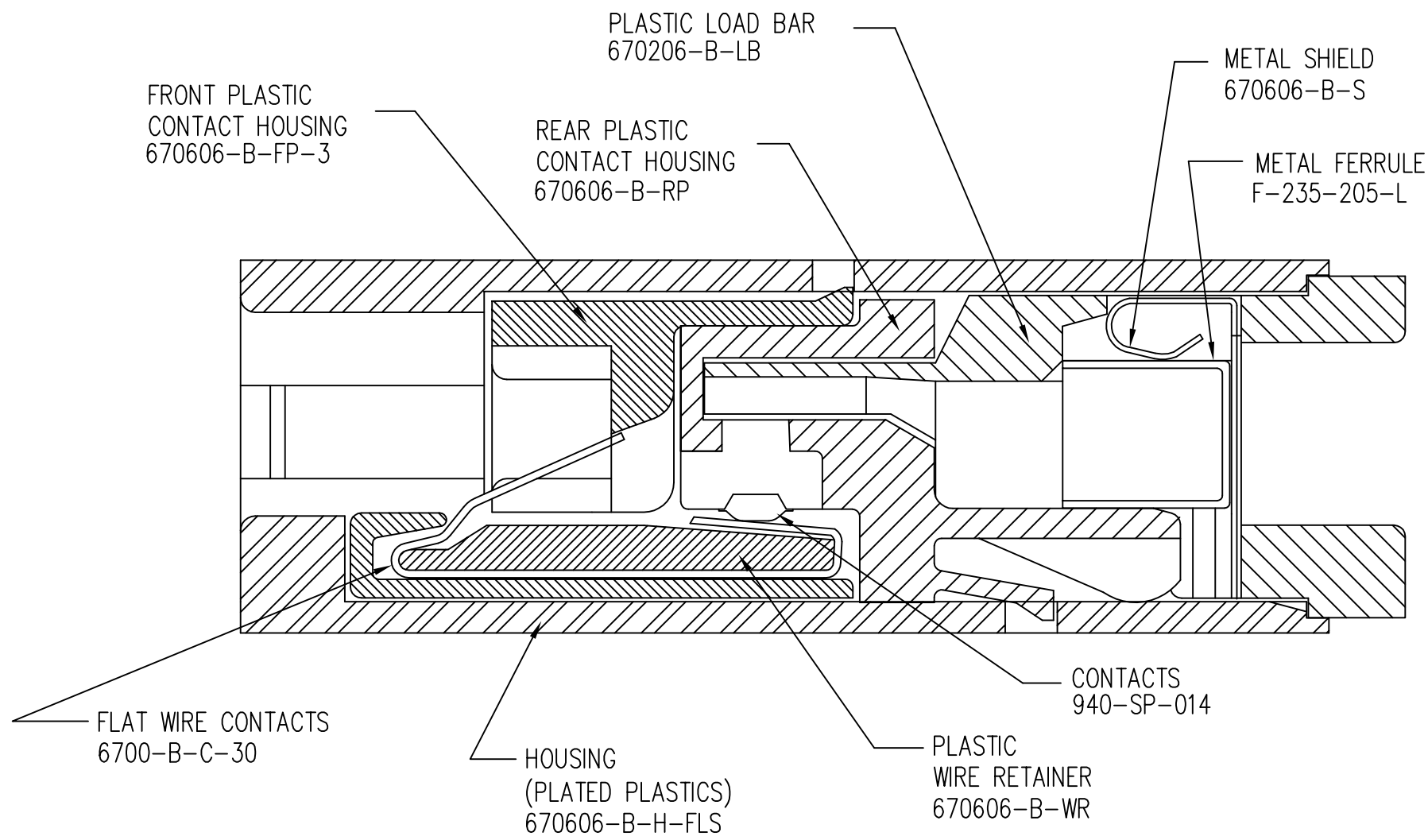
SHEET NO. 1 OF 2

DWG NO. CT670011 REV. B10



2

1



NOTE:
DIMENSIONS SHOWN ARE FOR PART
I.D. AND REFERENCE ONLY.

REV. 6/3/05

2

1

AutoCAD



THIRD ANGLE PROJECTION 		1118 Susquehanna Trail South Glen Rock, PA 17327-9199 (717) 235-7512 http://www.stewartconnector.com
DO NOT SCALE DRAWING DRAWING IS SUBJECT TO CHANGE WITHOUT NOTICE	TITLE: BULK HEAD JACK	
DIMENSIONS: INCHES [METRIC]	DRN BY: JAF	DATE 8-17-05
UNLESS OTHERWISE SPECIFIED TOLERANCES ARE ±.005 [0.13] ANGLES ARE ± 1°	APPD BY: DG	DATE 8-17-05
SHEET NO. 2 OF 2	THIS DRAWING AND THE SUBJECT MATTER SHOWN THEREON ARE CONFIDENTIAL AND THE PROPRIETARY PROPERTY OF STEWART CONNECTOR AND SHALL NOT BE REPRODUCED, COPIED, OR USED IN ANY MANNER WITHOUT PRIOR WRITTEN CONSENT OF STEWART CONNECTOR. THIS PRODUCT MAY BE PROTECTED BY ONE OR MORE OF THE FOLLOWING US PATENTS: 5791942 6217391 6368159 6419526 6602097 687722 6964587 7048590 7086909 7568950 7686650 OTHER PATENTS MAY BE PENDING.	
	DWG NO. CT670011	REV. B10